

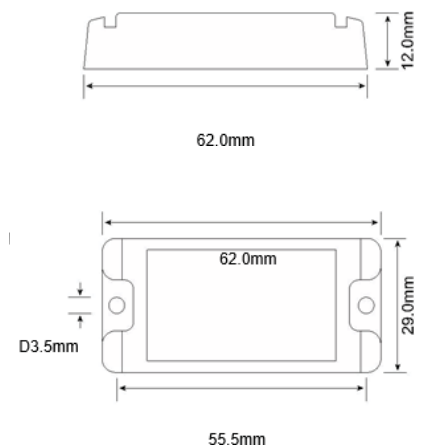


HT-HTP 6229 is a High Temperature RAIN RFID tag optimized for metal substrates that has the ability to survive temperature of 260°C for extended periods. With a rugged encapsulation, this UHF tag is ready for deployment in a variety of applications without compromising read range performance.

This High Temperature RFID Tag is an ideal solution for industrial applications where surviving repeated exposure to excessive heat challenging environments is needed.

PHYSICAL SPECIFICATION

Tag Material	PEEK
Tag Dimensions	62 x 29 mm , Hole D: 3.5 mm T: 12 mm 2.44 x 1.14 in , Hole D: 0.13 in T: 0.47 in
Mounting Method	Screw - Socket head cap screws (M3)
Weight	15 g
Delivery Format	Single Pieces



RF SPECIFICATION

Mode of Operation	Passive
Device Type	Hard Tag
Air Interface Protocol	EPC Class1 Gen2, ISO18000-6C
Operational Frequency	ETSI: 865-868MHz FCC: 902-928MHz
IC Type	Alien Higgs 3
Memory Configuration	EPC 96bits (Up to 480bits), USER 512bits, TID64bits
Write Cycle Endurance	100,000
Data Retention	Upto 50 years
Applicable Surface Materials	Metallic surfaces
Read Range (Fixed Reader)	ETSI : On metal 12m (865-868MHZ) FCC : On metal 13m (902-928MHZ)
Read Range (Handheld Reader)	ETSI : On metal (865-868MHZ) FCC : On metal 7.5m (902-928MHZ)

ENVIRONMENTAL RESISTANCE

Operating Temperature	-40°C to +150°C / -40°F to +302°F
Withstands Exposure To	<ul style="list-style-type: none">• Withstand 300° for 100 hours continuously without damage.• Withstand 280° for 1000 hours continuously without damage.• Withstand 260° for 2000 hours continuously without damage.• Withstand -20° for 8 hours, then 260° for 16 hours per day, 80 days continuously without damage.• Withstand from 150° to -40° , 7.5 cycles per day, 80 days continuously with total 600 cycles without damage.
Peak Temperature	+300°C / +572°F
Recommended Application Temperature	+10°C to +38°C / 50°F to +100.4°F
Water Resistance (IP Rating)	IP67
Chemical Resistance	PH0 to PH14, and all other liquid that PEEK can handle.
Compression Strength	150Mpa
Ideal Storage Condition	-60° to +260° / -140°F to 500°F; +300° for 100 hours.
Expected Lifetime	Years in normal operating conditions

PRODUCT INSTALLATION



The tag can be attached to the surface using the following fixing method

- **Mechanical Fixing:**

Achieved by using socket head cap screws(M3) and is a recommended for environments that involve high mechanical stress.

During fixing make sure there is no air gap left in between the metal surface and tag.

PERSONALIZATION OPTIONS

Pre-encoding

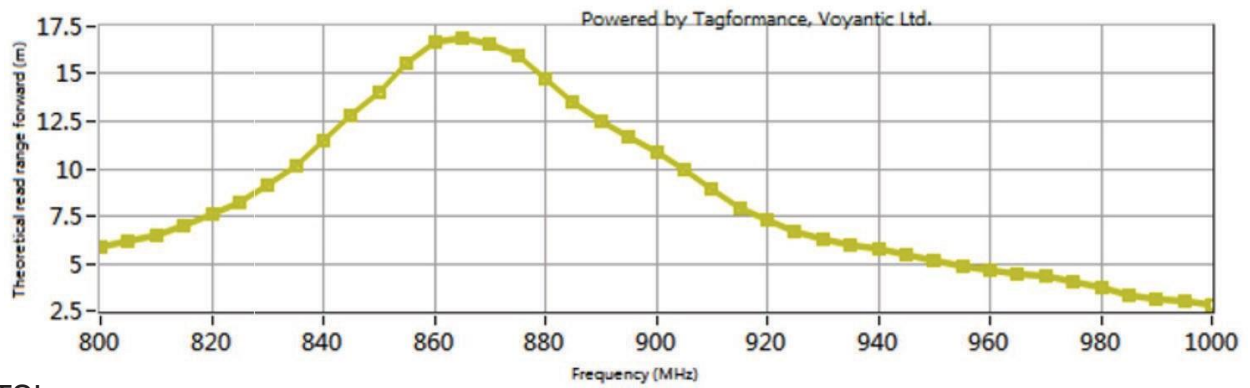
- Customer specific encoding of EPC

ORDER INFORMATION

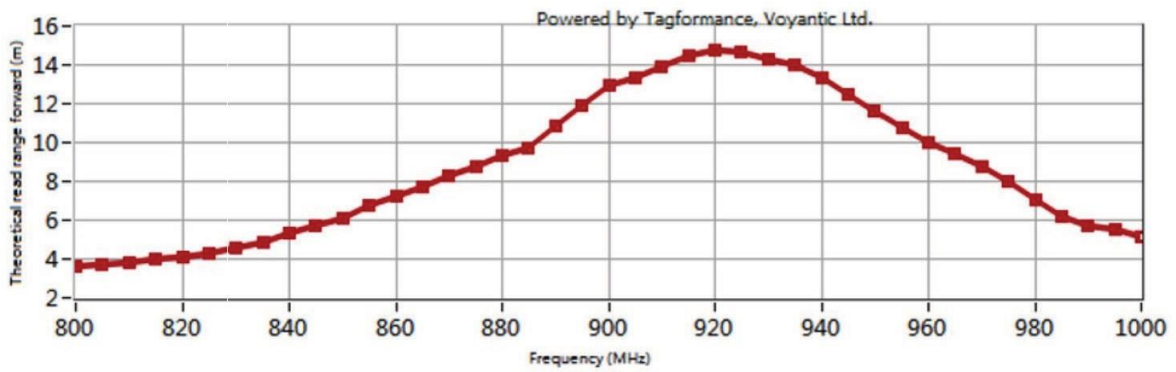
Part Number

- RF.HT-HTP.6229.ETSI.H3
- RF.HT-HTP.6229.FCC.H3

READ RANGE GRAPHS (ETSI & FCC)



ETSI



FCC



For more information, visit: www.rfidcanada.com

Email: info@rfidcanada.com

+1 905-513-8919

* The indicated read range values are measured in our laboratory testing environment, where antennas with optimum directivity are used with maximum allowed operating power. Different surface materials and environments may exhibit different results.



Version : 101120.01