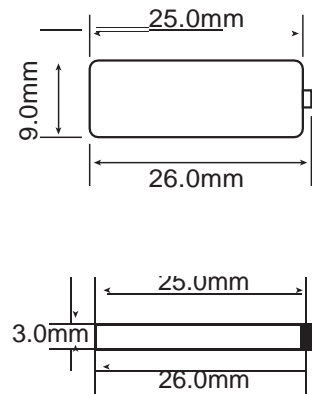




HT-CER 259 is a ceramic RAIN RFID hard tag offered by SIVA with an Alien Higgs 3 chip for good read range performance optimized for metallic surfaces. Supplied with customer specific encoding of EPC as an option, these tags are ideal for industrial applications.

PHYSICAL SPECIFICATION	
Tag Material	Ceramic
Tag Dimensions	25.0 x 9.0 mm x T: 3.0 mm 0.98 x 0.35 in x T:0.11in
Mounting Methods	Adhesive
Weight	3.8 g
Delivery Format	Single Pieces



RF SPECIFICATION	
Mode of Operation	Passive
Device Type	Ceramic Tag
Air Interface Protocol	EPC Class1 Gen2, ISO18000-6C
Operational Frequency	ETSI: 866-868MHz FCC: 902-928MHz
IC Type	Alien Higgs 3
Memory Configuration	EPC 96bits , USER 512bits, TID64bits
Write Cycle Endurance	100,000
Data Retention	Upto 50 years
Applicable Surface Materials	Metallic surfaces
Read Range (Fixed Reader)	On metal 4.2m
Read Range (Handheld Reader)	On metal 2.9m

ENVIRONMENTAL RESISTANCE

Operating Temperature	-40°C to +85°C / -40°F to +185°F
Withstands Exposure To	-40°C to +150°C / -40°F to +302°F
Peak Temperature	+150°C / +302°F
Recommended Application Temperature	+10°C to +38°C / 50°F to +100.4°F
Water Resistance (IP Rating)	IP68
Ideal Storage Condition	-40°C to +150°C / -40°F to 302°F
Expected Lifetime	Years in normal operating conditions

PERSONALIZATION OPTIONS

Pre-encoding

- Customer specific encoding of EPC

ORDER INFORMATION

Part Number

- RF.HT-CER.259.ETSI.H3
- RF.HT-CER.259.FCC.H3



For more information, visit: www.rfidcanada.com

Email: info@rfidcanada.com

+1 905-513-8919

* The indicated read range values are measured in our laboratory testing environment, where antennas with optimum directivity are used with maximum allowed operating power. Different surface materials and environments may exhibit different results.



Version : 101120.01