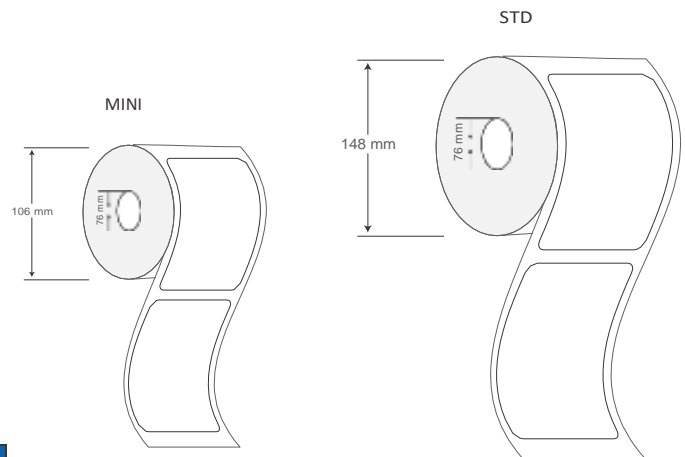




SIVA's GP46 is a general purpose RFID label supplied in roll form as a finished label and optimized for thermal barcode printers; enabling low cost and hassle-free RFID deployment. These labels are ideally used as shipping, packaging labels, labels for warehouse operations and inventory management, etc.

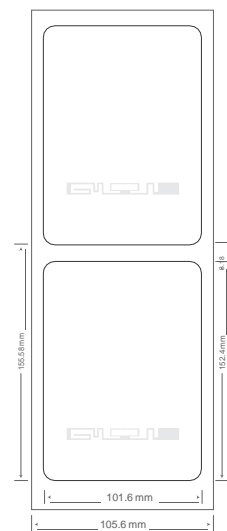
TYPICAL APPLICATIONS

- Shipping Labels
- Manufacturing and Supply Chain
- Packaging
- Warehouse Operations
- Logistics
- Inventory Management & Asset Tracking



PHYSICAL SPECIFICATION

Face Stock	Printable White Paper	
Label Sizes	101.6 x 152.4 x 0.2 mm / 4.0 x 6.0 x 0.01 in	
Adhesive	High performance permanent adhesive with excellent bonding to a variety of substrates	
Weight	2.60 gms	
Delivery Format	On reel	
No. of Labels/ Reel	std: 500 pcs	mini: 125 pcs
Label Pitch	155.58 mm / 6.125 in	
Core Inner Diameter	76 mm / 3 in	
Roll Outer Diameter	std: 148 mm / 5.82 in	mini: 106 mm / 5.74 in



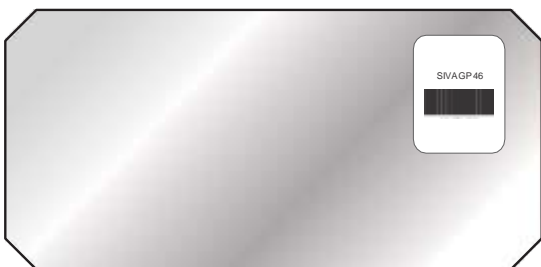
RF SPECIFICATION

Mode of Operation	Passive
Device Type	Class 1 Gen 2 Passive UHF RFID transponder
Air Interface Protocol	EPC Global Class 1 Gen 2 ISO 18000-6C
Operational Frequency	Global 860-960 MHz
IC type*	NXP UCODE 8
Memory Configuration	EPC Size 96 - 128 Bits
Data Retention	Upto 20 years
Write Cycle Endurance	100,000
Read Range**	FCC: On Plastic - Upto 14 m / 45.9 ft ETSI: On Plastic - Upto 13 m / 42.65 ft
Applicable Surface Materials	Non-metallic surfaces

ENVIRONMENTAL RESISTANCE

Operating temperature	-20°C to +70°C / -4°F to +158°F
Withstands Exposure to	95% humidity, 60°C × 100 h, 50% humidity, 80°C × 100 h
Peak Temperature	+100°C for 1 hr, +85°C for 24 hrs (Label remains securely attached with object. No physical or performance changes observed.)
Recommended Application Temperature	+10°C to +38°C / 50°F to +100.4°F
Water Resistance	IP67
Adhesive Service Temperature	-20°C to +85°C / -4°F to +185°F
Chemical Resistance	No physical or performance changes in: - 168 h Salt water (salinity 10%) exposure - 168 h Motor oil exposure - 12 h NaOH (10%) exposure - 30 min Acetone exposure
Ideal Storage condition	+23°C / 50% RH
Expected lifetime	Years in normal operating conditions

PRODUCT INSTALLATION



- Ensure the application surface is not uneven and is clean and dry, to obtain maximum bond strength. If required, use approved cleaning solvents to clean surface.
- Avoid touching the backside of the label while mounting it

PERSONALIZATION OPTIONS

Pre-encoding

- Customer specific encoding of EPC

Customized Printing

- Customer specific layout including logo, text, numbers, barcodes etc.

ORDER INFORMATION

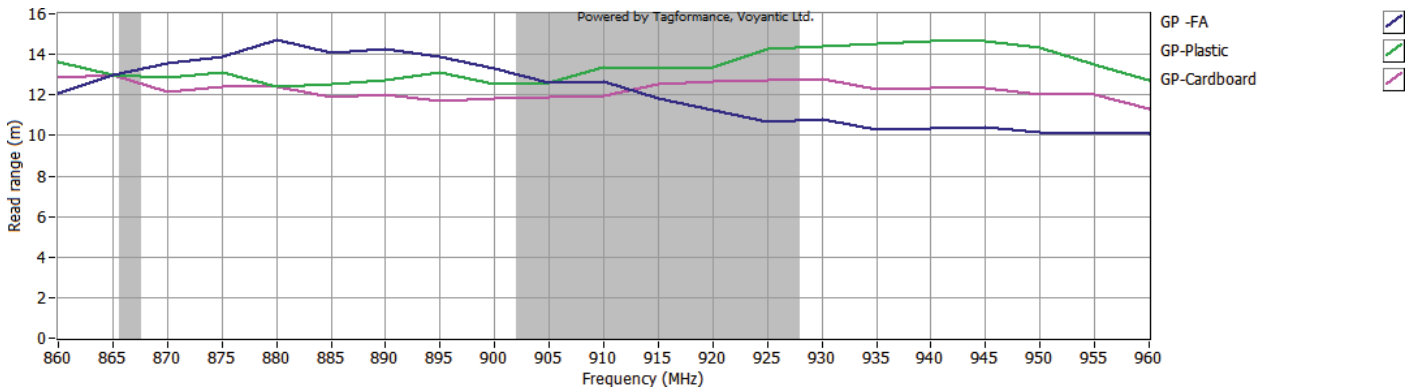
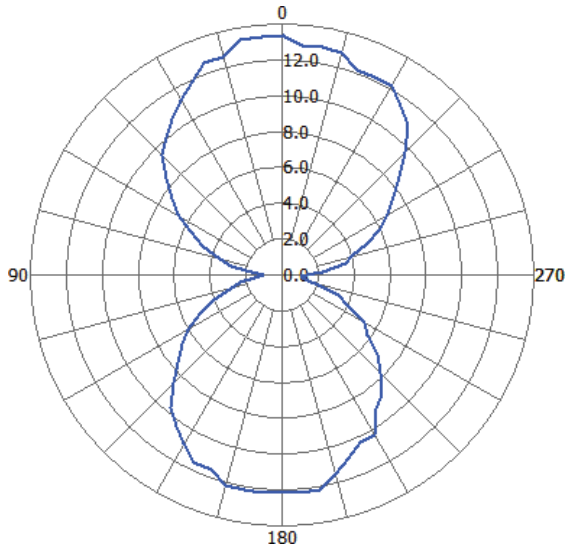
Part Number

- RF.Li.TT.GP.46

Roll Sizes

- std: 500 Labels per Roll / 4 Rolls per Carton
- mini: 125 Labels per Roll

RADIATION PATTERN AND READ RANGE GRAPH



For more information, visit: www.rfidcanada.com

Email: info@rfidcanada.com

+1 905-513-8919

* Other IC's available on request

** The indicated read range values are measured in our laboratory testing environment, where antennas with optimum directivity are used with maximum allowed operating power. Different surface materials and environments may exhibit different results.



Version : 030720.01