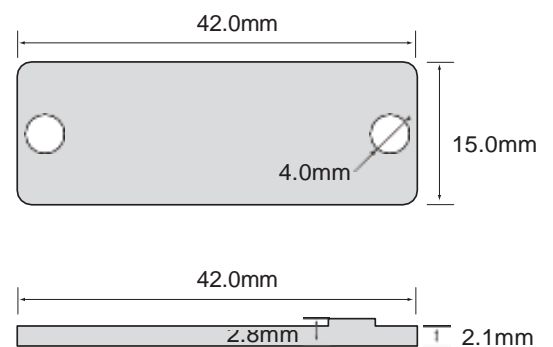




A High Temperature RFID tag optimized for metal substrates that has the ability to survive high temperatures of 280°C for 50 minutes, 250°C for 150minutes. With a rugged encapsulation, this UHF tag is ready for deployment in a variety of applications without compromising read range performance. This High Temperature RFID Tag is an ideal solution for applications where surviving excessive heat in challenging environments is needed.

PHYSICAL SPECIFICATION

Tag Material	PTFE
Tag Dimensions	42 x 15 mm, (Hole: D 4mm x 2) 1.65 x 0.59 in, (Hole: D 0.16in x 2) T:2.1mm without IC bump, 2.8mm with IC bump T:0.082in without IC bump, 0.11in with IC bump
Adhesive (Optional)	High performance permanent adhesive
Weight	2.2 gms
Delivery Format	Single Pieces



RF SPECIFICATION

Mode of Operation	Passive
Device Type	Plastic Hard Tag
Air Interface Protocol	EPC Class1 Gen2, ISO18000-6C
Operational Frequency	(US) 902-928MHz, (EU) 865-868MHz
IC Type	Alien Higgs 4
Memory Configuration	EPC 128bits, USER 128bits, TID64bits
Write Cycle Endurance	100,000
Data Retention	Upto 50 years
Applicable Surface Materials	Metallic surfaces
Read Range (Fixed Reader)	ETSI : On metal upto 4.5m FCC : On metal upto 5.5m

ENVIRONMENTAL RESISTANCE

Operating Temperature	-40°C to +150°C / -40°F to 302°F
Withstands Exposure To	280°C/536°F for 50 min, 250°C/482°F for 150 min
Peak Temperature	+280°C / +536°F
Adhesive Service Temperature	-40°C to +150°C / -40°F to 302°F
Recommended Application Temperature	+10°C to +38°C / 50°F to +100.4°F
Water Resistance (IP Rating)	IP68
Ideal Storage Condition	-55°C to +200°C/-67°F to 392°F
Expected Lifetime	Years in normal operating conditions

PRODUCT INSTALLATION



The tag can be attached to the surface using the following fixing methods

- **Adhesive:**
The tag is delivered with an optional high-performance adhesive. While mounting the tag ensure clean and dry surface to achieve maximum bond strength. Ideal application temperature is from +10°C to 38°C / +50°F to +100.4°F and installation beyond this temperature range is not recommended. Bond strength can be improved by applying pressure firmly while mounting the tag.
- **Mechanical Fixing:**
Achieved by using a screw and is a recommended for environments that involve high mechanical stress. During fixing make sure there is no air gap left in between the metal surface and tag.

PERSONALIZATION OPTIONS

Pre-encoding

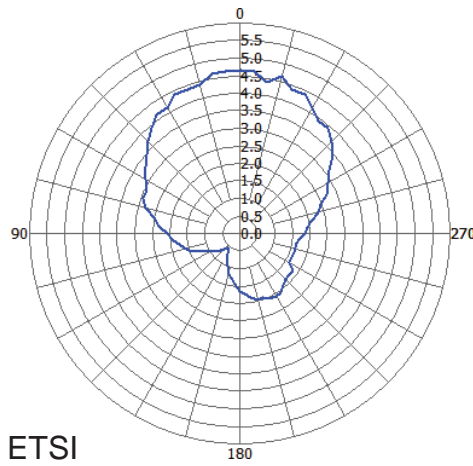
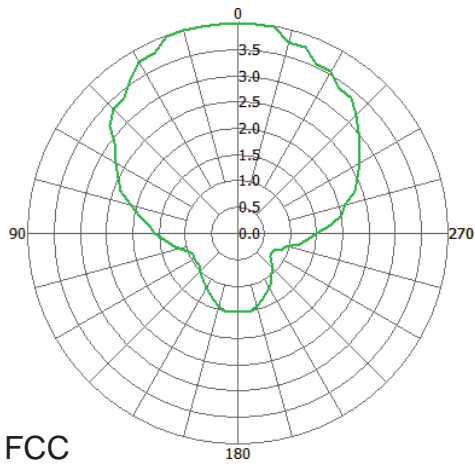
- Customer specific encoding of EPC

ORDER INFORMATION

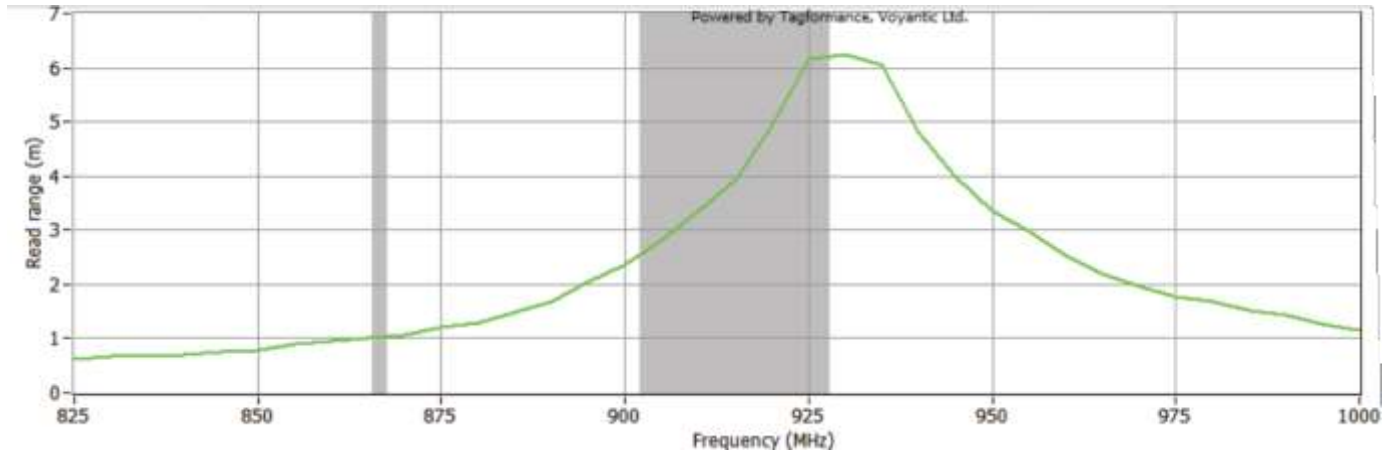
Part Number

- RF.HT-HTP.4215.ETSI.H4
- RF.HT-HTP.4215.FCC.H4

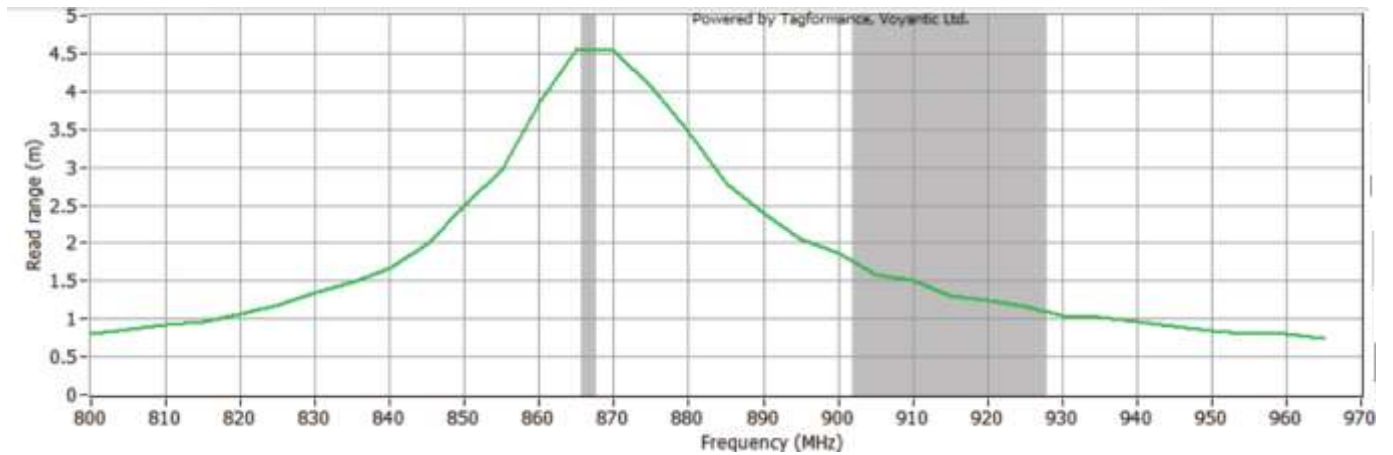
RADIATION PATTERN & READ RANGE GRAPH (ETSI & FCC)



FCC



ETSI



** The indicated read range values are measured in our laboratory testing environment, where antennas with optimum directivity are used with maximum allowed operating power. Different surface materials and environments may exhibit different results.



Version : 280120.01



For more information, visit: www.rfidcanada.com

Email: info@rfidcanada.com

+1 905-513-8919