

Omni-ID® Fit 700 (Global)

Omni-ID's Fit 700 is a Global frequency RFID tag ideal for asset management requiring a low profile tag with high read performance. The small footprint of the Fit 700 offers greater flexibility with a broader choice of assets to tag.

Building Intelligent Supply Chains

With its global performance, low profile, durable design the Omni-ID Fit 700 tags are ideally suited to applications such as:

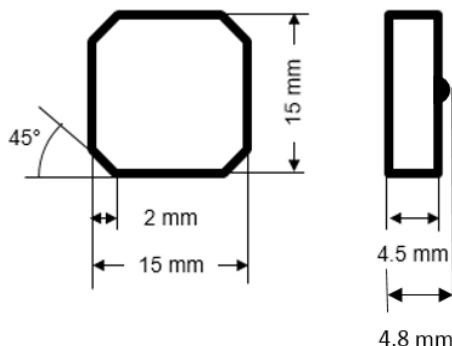
- Tool Tracking
- Weapons and military asset tracking
- Metal IT assets

Physical Specifications

Material	Ceramic painted top and sides
Size (mm)	15 x 15 x 4.5 ¹
Size (in)	0.59 x 0.59 x 0.18
Weight (g)	4.8

¹To include the IC bump on the face of the tag, add 0.3 for a dimension of 4.8mm.

Dimensions



Dimensions stated in mm

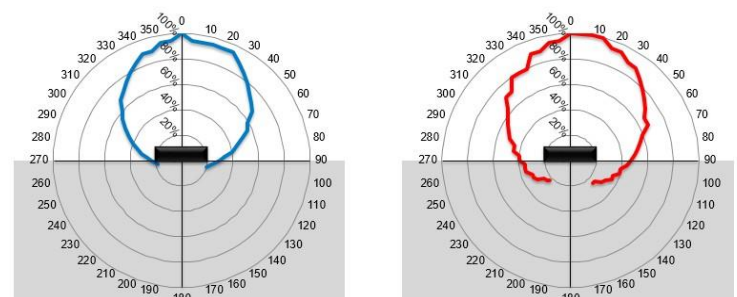
RF Specifications

Protocol	EPC Class 1 Gen2
Frequency Range (MHz)	860-930MHz (global)
Read Range ¹ Fixed Reader	Up to 7m (22.97ft)
Read Range Handheld	Up to 5m (16.40ft)
On Metal or Balanced	Optimized for metal
IC Type (chip)	Monza 4QT
Memory ²	EPC - 128bits User - 512Kbits Unique TID - 48bits

¹Quoted performance achieved using standard testing methodology. Read range will vary with reader hardware and output power.

²EPC and User memory are reprogrammable. TID is locked at point of manufacture.

Radiation Patterns



ETSI (EU) Band

FCC (US Band)

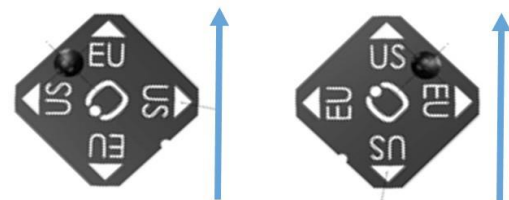


Diagram represents correct tag orientation by frequency band for use with vertically polarized linear antenna.

Related Products and Services

- **Omni-ID Fit 200** - Low profile, on metal RFID tag optimized for application to small metal assets and for embedding.
- **Omni-ID Fit 210**- Low profile RFID tag available in both high temperature and Global frequency versions.
- **Omni-ID Fit 400** - Small footprint tags available in High Temperature and embedded versions for metal assets.
- **Service Bureau** - Omni-ID offers a full service bureau for printing and pre-encoding Omni-ID tags at point of manufacture.



Environmental Specifications

Operation Temperature¹ -20°C to +65°C

Max Temperature Exposure¹ -20°C to +65°C

IP rating IP68

Shock and Vibration² MIL STD 810-G

Attachment Film adhesive (included)

Certifications RoHS approved
CE approved
ATEX/IECEX certified

Warranty 1 year

1. Excludes adhesive options, consult adhesive data sheets for recommended temperature ratings.
2. Testing methodology available on request.

Ordering Information

Order code: 135 GS

Option codes: :303 (Customization)
:304 (ATEX/IECEX certified)
:307 (US & Canada (C1D1certified))
:701 (Standard Service Bureau)

Certifications:



RoHS approved
CE approved
ATEX/IECEX certified
US & Canada (C1D1/D2) certified (option)



For more information, visit: www.rfidcanada.com
Email: info@rfidcanada.com
+1 905-513-8919