



Omni-ID® Dura 600

Omni-ID Dura 600 is a small form factor RFID tag, with extreme impact resistance, and superior on-metal performance. The combination of its size, flexible durable case design and foam adhesive makes it ideal for heavy industrial applications where curved or contoured assets are in use including pipes and valves.

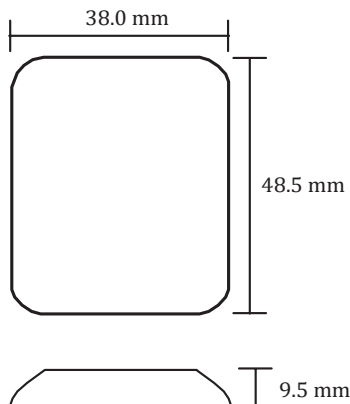
Building Intelligent Supply Chains

With its high performance on metal and highly impact resistant thermoplastic elastomer casing, Omni-ID Dura 600 is ideally suited to industrial asset management applications including :

- Deployed production equipment.
- Chemical drums.
- Beverage kegs.

Physical Specifications

Encasement	Durable Thermoplastic Material
Size (mm) (tolerance)	48.5 x 38.0 x 9.5 (+/- 1.0)
Size (in) (tolerance)	1.91 x 1.50 x 0.37 (+/- 0.04)
Weight (g)	11.2



Dimensions stated in mm

RF Specifications

Protocol	EPC Class 1 Gen2
Frequency Range (MHz)	902–928 (US) 865–868 (EU)
Read Range (Fixed reader) ¹	Up to 6.0m (US) Up to 5.0m (EU)
Read Range (Handheld reader) ¹	Up to 3.0m (US) Up to 2.5m (EU)
Material Compatibility	Optimized for Metal
IC Type (chip)	Alien H3
Memory ²	EPC - 96bits User - 512bits TID - 64bits

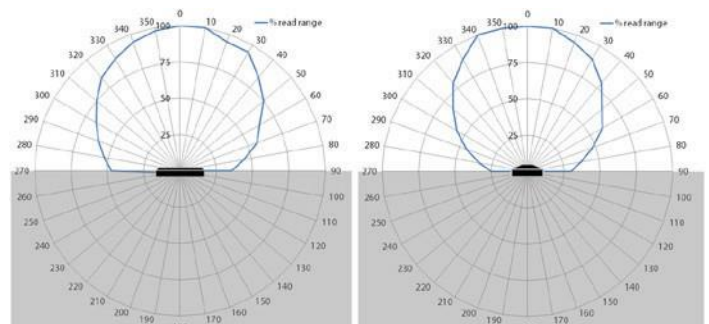
1. Quoted performance achieved using standard testing methodology. Read range will vary with reader hardware and output power.

2. EPC and User memory are reprogrammable, TID is locked at point of manufacture.

Radiation Patterns

Large Metal

Sheet



Related Products and Services

- **Omni-ID Dura 1500** - Long range, high durability RFID tag product for heavy industry applications involving metal.
- **Omni-ID Exo 750** - Extreme durability, long range and global operability in a small, square footprint, on-metal RFID tag.
- **Omni-ID Adept 360°** - Extremely durable, high performance tether tag with 360° read angle for heavy industry applications.
- **Service Bureau** - Omni-ID offers a full service bureau for printing and pre-encoding Omni-ID tags at point of manufacture.



Environmental Specifications

Operating Temperature	-40°C to +85°C
Long term Max Temperature ¹ exposure - (days,weeks,years)	+85 °C
Short term Max Temperature ¹ exposure - (minutes,hours)	+105°C
IP Rating	IP68
Shock and Vibration	MIL STD 810-F
Impact ²	25kg from 1m
Attachment	Industrial Foam Tape 3M PT1100
Certifications	RoHS approved CE approved ATEX/IECEX certified (option) US&Canada (C1D1/D2) certified (option)
Warranty	1 year

1. Excludes adhesive options, consult adhesive data sheets for recommended temperature ratings.
2. Testing methodology available on request

Ordering Information

Order Numbers	025- US, EU :304 (ATEX/IECEX certified) :307 (US&Canada (C1D1/D2) certified) :701 (Standard Service Bureau) :702 (Custom Service Bureau)
---------------	--



For more information, visit: www.rfidcanada.com
Email: info@rfidcanada.com
+1 905-513-8919

