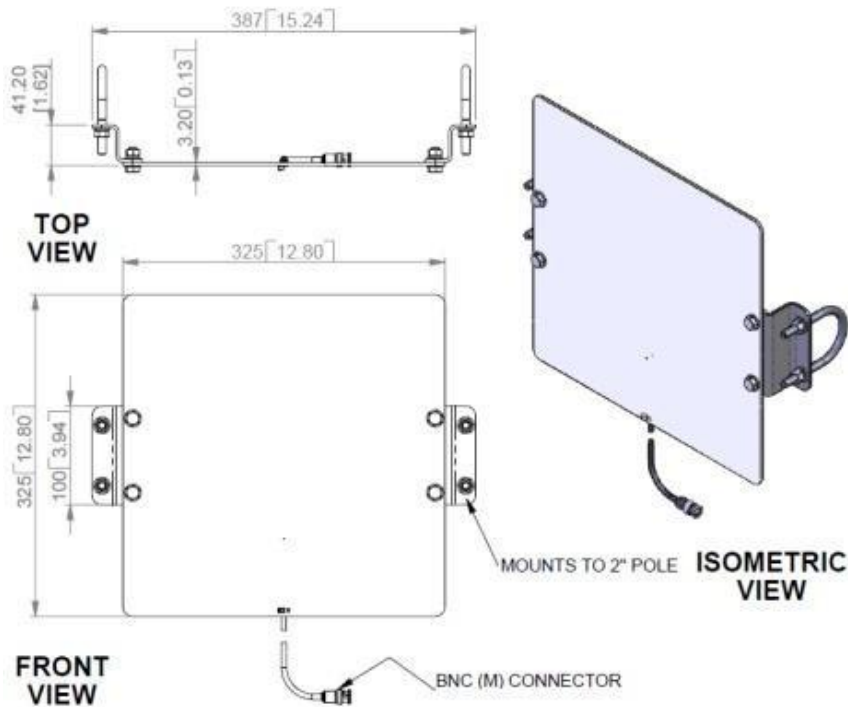


# ACTIVE RFID

## AN360 Circularly Polarised Patch Antenna

The AN360 is a unity gain circularly polarised patch antenna which is ideal for reading tag signals in high density and random orientation scenarios. It is supplied with a mounting kit and 5m BNC cable terminated with a BNC Male connector.



## Specifications

### Electrical

▪ Frequency	: 433 MHz
▪ Gain	: 0 dBiC
▪ Polarisation	: Right hand circular
▪ Beam width	: 80° Az x 80° (EI)
▪ Axial Ratio	: < 3 dB
▪ VSWR	: < 1.5 :1
▪ Power Rating	: 5 W
▪ Front to back	: > 30 dB

### Physical

▪ Colour	: Gloss White
▪ Weight	: 750 grams
▪ Temperature	: -20°C to +50°C
▪ Wind Loading	: 17.13 Kg @ 100 mph

### Ordering & Further Information

For more information on purchasing the AN360 please email RFID Canada:

[sales@rfidcanada.com](mailto:sales@rfidcanada.com)

For more information on RFID Canada visit our website.

## Read Range

Typical read ranges with an RX210 are circa 100m.



© 2011 Wavetrend Europe Limited | All Rights Reserved | All specifications are subject to change without notice.