

## i-scan

Long range  
antennas for  
Long Range Reader  
ID ISC.LR200-x  
and Long Range  
Reader module  
ID ISC.LRM200-x

ID ISC.ANT  
300/300-A  
800/600-A  
800/600-B



Antenna program to be used with  
OBID<sup>®</sup> i-scan Long Range Readers for  
identification of Smart Labels.

### Features:

- Great variability due to different antenna-conceptions (single antennas, gate antennas)
- The use of a Power Splitter ID ISC.ANT.PS-A facilitates the connection of several antennas to one reader
- Reduction of special interferences within the industrial environment due to the use of an Antenna Transformer ID ISC.ANT.T-A

## Short description and technical information

OBID® i-scan long range reader antennas are designed to work with the Feig Long Reader and Module, Depending on the application, single- or gate antennas may be used.

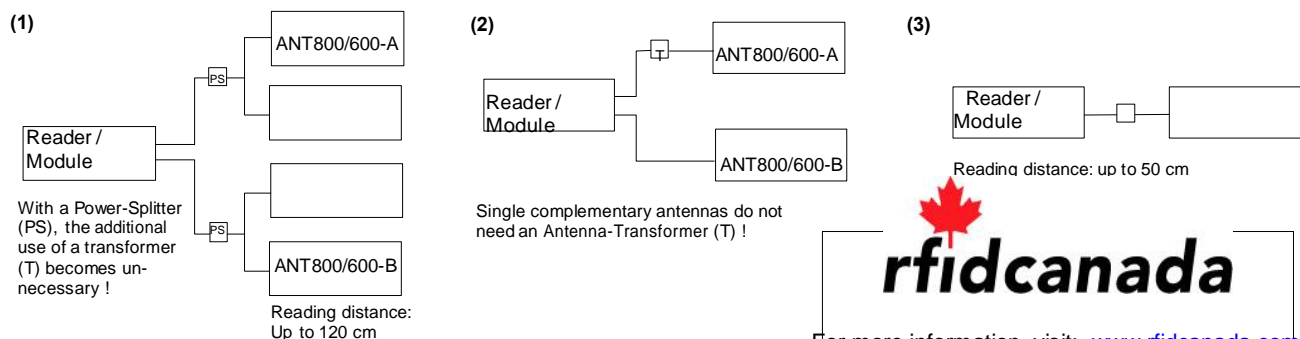
For applications with only one reading alignment of up to 80 cm, a base antenna (-A) in form of a single antenna will be sufficient. For higher ranges of up to approx. 120 cm and applications with multi-directional reading alignment, the use of a Complementary antenna (-B) becomes necessary. For industrial applications, we recommend the use of an Antenna-Transformer (ID ISC.ANT.T-A), which will reduce any additional interferences occurring in such areas.

If you use three or four antennas for gate solutions, one or two Power-Splitter (ID ISC.ANT.PS-A) are necessary in order to facilitate the connection of two base or complementary antennas to one reader.

## Technical data

	ID ISC.ANT300/300- A	ID ISC.ANT800/600-A	ID ISC.ANT800/600-B	ID ISC.ANT.PS-A	ID ISC.ANT.T-A
<b>Housing</b>	Plastic ABS	Plastic ABS	Plastic ABS	Plastic ABS	Plastic ABS
<b>Colour</b>	black	black	black	white	white
<b>Dimensions (W x H x D)</b>	322 x 337 x 38 mm	851 x 620 x 38 mm	851 x 620 x 38 mm	94 x 94 x 57 mm	94 x 94 x 57 mm
<b>Weight</b>	0,7 kg	2,7 kg	2,5 kg	0,3 kg	0,25 kg
<b>Protection class</b>	IP 65	IP 65	IP 65	IP 65	IP 65
<b>Maximum transmitting power</b>	10 W	10 W	10 W	--	--
<b>Admissible transmitting power</b>	4 W (without shield)	4 W (without shield, with 2 antennas)	4 W (without shield, 2 . B connected with 2. A)	--	--
<b>Reading distance</b>	up to 50 cm	up to 80 cm	up to 120 cm (gate-solution)	--	--
<b>Antenna connection</b>	Coax cable RG58 (3,6 m), SMA-Plug	Coax cable RG58 (3,6 m), SMA-	Coax cable RG58 (3,6 m), SMA-	--	--
<b>Maximum input power</b>	--	--	--	10 W	10 W
<b>Impedance</b>	--	--	--	50 +/- 3	50 +/- 3
<b>Phase</b>	--	--	--	0° +/- 3°	0° +/- 3°
<b>SWR</b>	--	--	--	max. 1,3 : 1	max. 1,3 : 1
<b>Input losses</b>	--	--	--	1 dB	1 dB
<b>Operating frequency</b>	13,56 MHz	13,56 MHz	13,56 MHz	13,56 MHz	13,56 MHz
<b>Temperature range</b> - operation - storage	-25°C up to 60°C -25°C up to 80°C	-25°C up to 55°C -25°C up to 70°C	-25°C up to 55°C -25°C up to 70°C	-25°C up to 65°C -25°C up to 80°C	-25°C up to 65°C -25°C up to 80°C
<b>Vibration</b> 10 Hz up to 150 Hz:	EN60068-2-6 0,15 mm / 2g	EN60068-2-6 0,15 mm / 2g	EN60068-2-6 0,15 mm / 2g	EN60068-2-6 0,15 mm / 2g	EN60068-2-6 0,15 mm / 2g
<b>Shock acceleration:</b>	EN60068-2-27 30g	EN60068-2-27 30g	EN60068-2-27 30g	EN60068-2-27 30g	EN60068-2-27 30g

## Possible equipment flow sheets



For more information, visit: [www.rfidcanada.com](http://www.rfidcanada.com)

Email: [info@rfidcanada.com](mailto:info@rfidcanada.com)

Canada and USA: 1 (877) 476-6760

Outside of North America: +1 905-513-8919